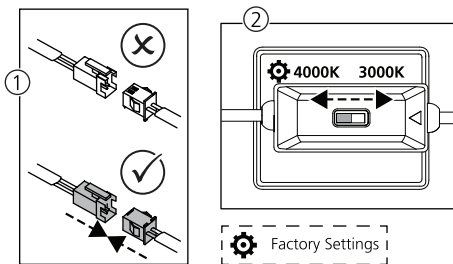
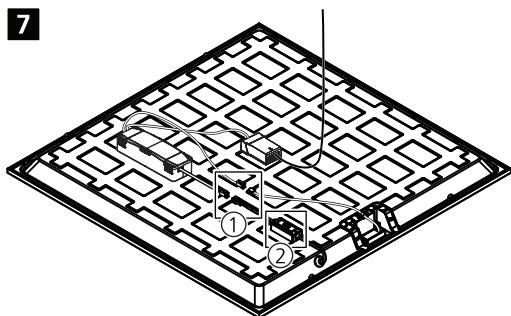
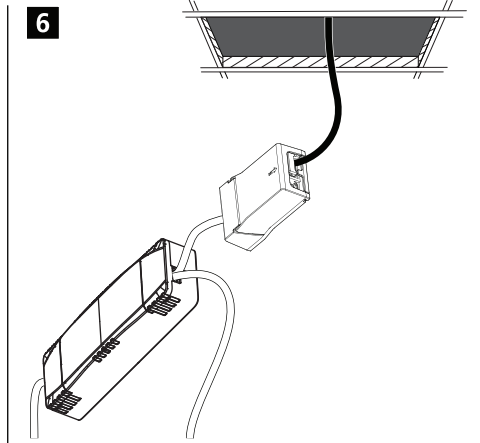
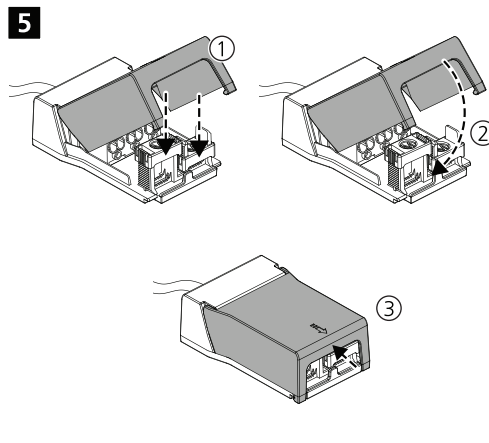
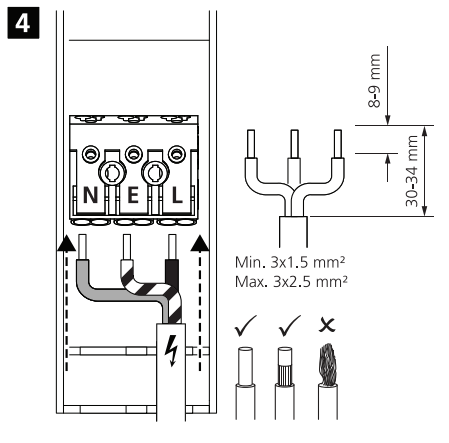
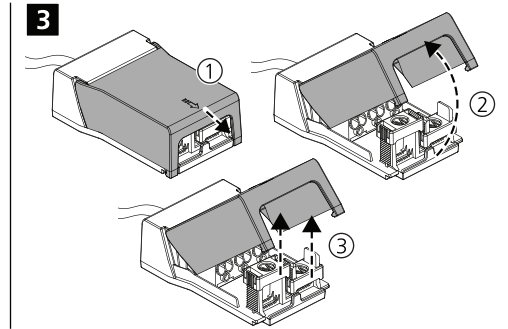
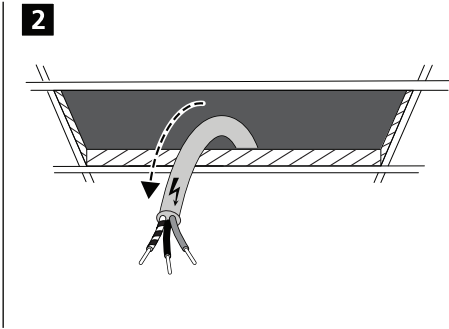
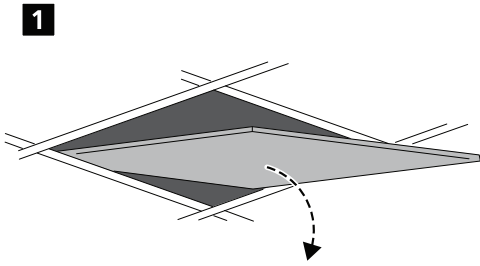
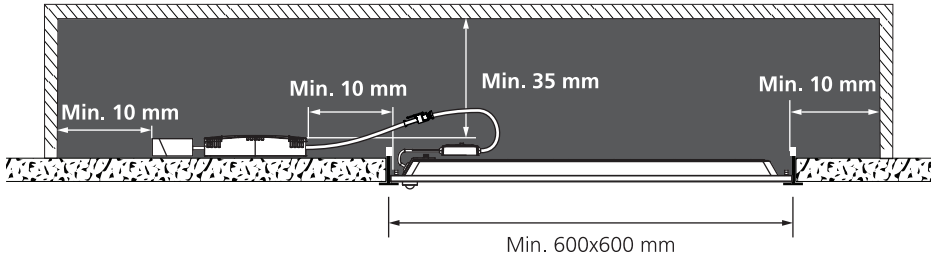
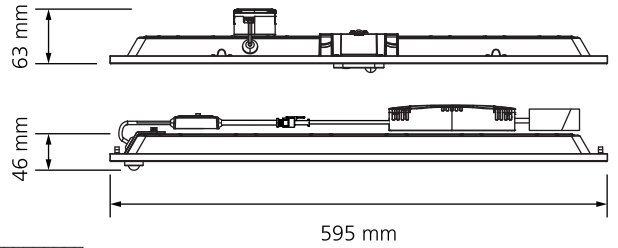
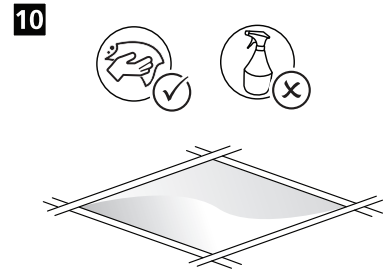
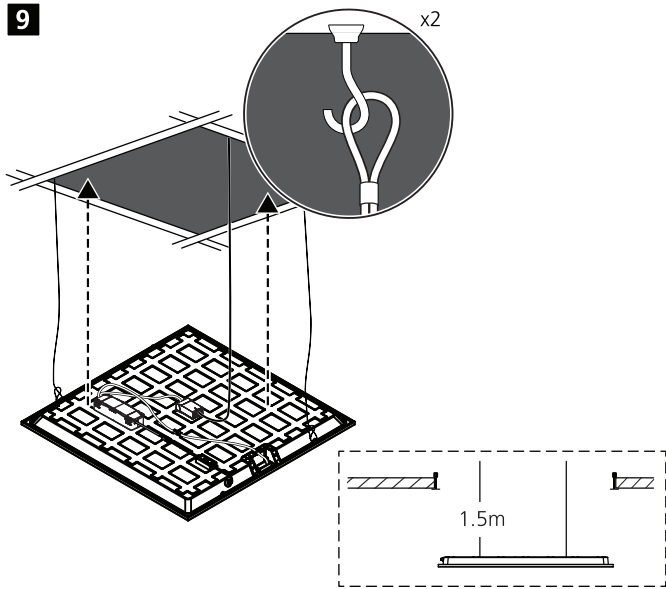
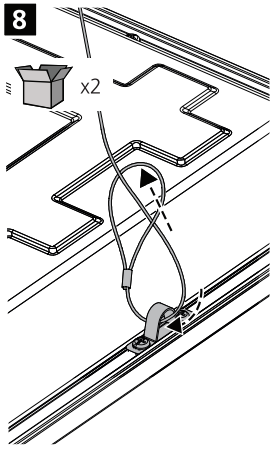


START Panel PIR 600 x 600





**ON**

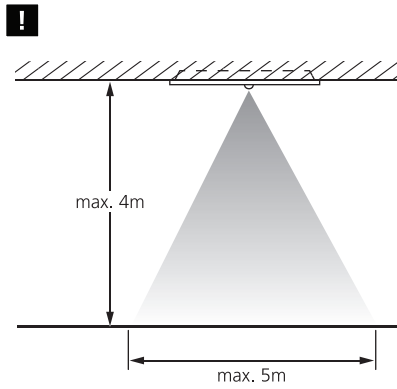
1 2 3 4

●	●	●	●
●	●	○	○
●	○	○	○
●	○	●	●

Factory Settings

**START Panel PIR Multipower**

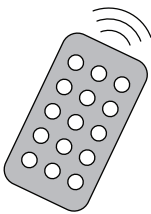
	1	2	3	4	Io [mA]	P [W]	3000K [lm]	4000K [lm]
●	●	●	●	●	650	26.5	3400	3600
●	●	●	○	○	700	29	3700	3900
●	●	○	○	○	750	31	3900	4100
●	○	○	○	○	800	33	4200	4400
●	○	●	●	●	850	34	4300	4500



**!** Y-type



0010475 IS16579



**Initial state:**  
**Sensitivity:** 100%  
**Hold time:** 5sec  
**Daylight sensor:** Disable  
**Stand-by period:** 0sec  
**Stand-by DIM level:** 20%